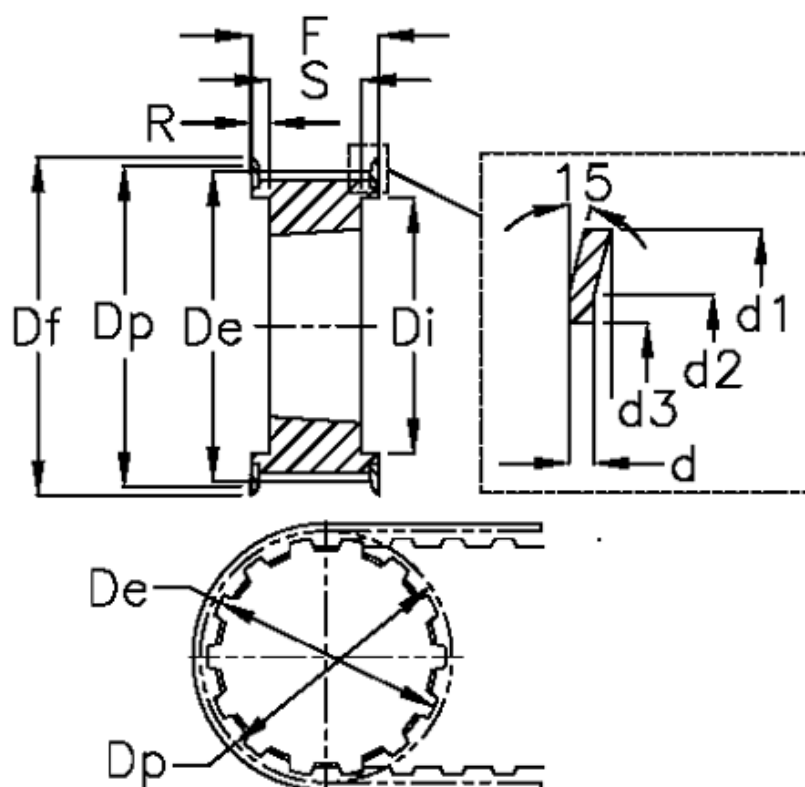


Data Sheet



Article number: 604133048115
 Description: Taper bored timing belt pulley
 HTD 48 14M 115 TL 3030

Measures



$d = 2.5$	F = 133	Weight = 17.1
$d1 = 226$	Flange type = F62	Width = 115
$d2 = 214$	For bushing = 3030	
$d3 = 190$	Max bore = 75	
$De = 211.11$	r = 28.5	
$Df = 226$	S = 76	
$Di = 170$	Tooth number = 48	
$Dp = 213.9$	Type = 14M	